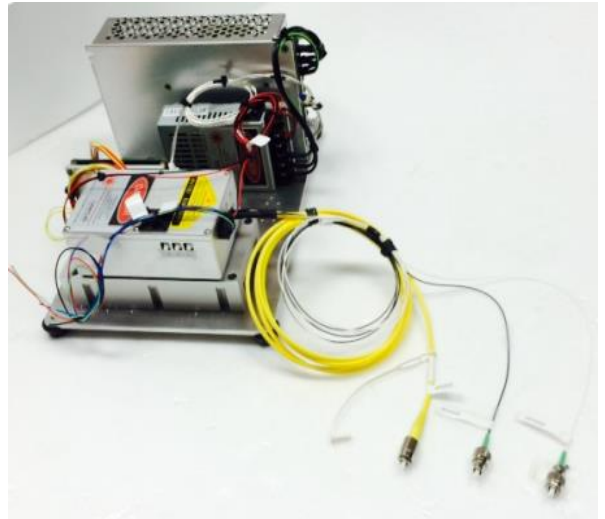
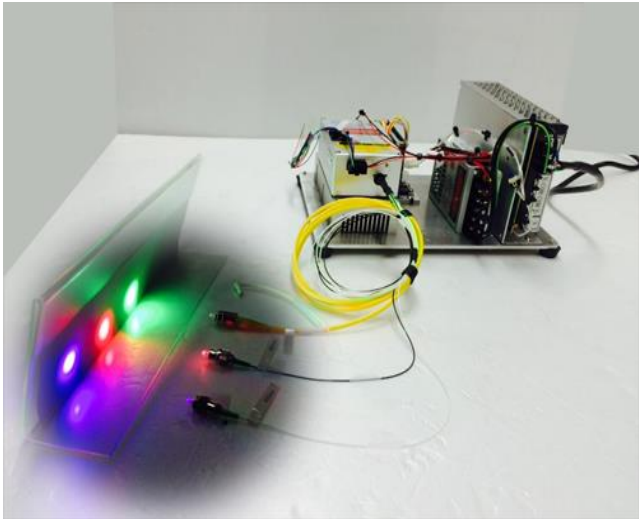


Single Mode RGB Laser

RGB single mode fiber coupled and free space.
CW mode and pulse modulation up to 10kHz.



- Feature

High efficiency pulse modulation driving
Over current and temperature interlock protection
Compact size, light weight
Continue / pulse mode selection

General Specification	Red	Green	Blue
Wavelengths	635,650nm	520,532nm	405,450nm
Output Power	>50mW	>30mW	>50mW

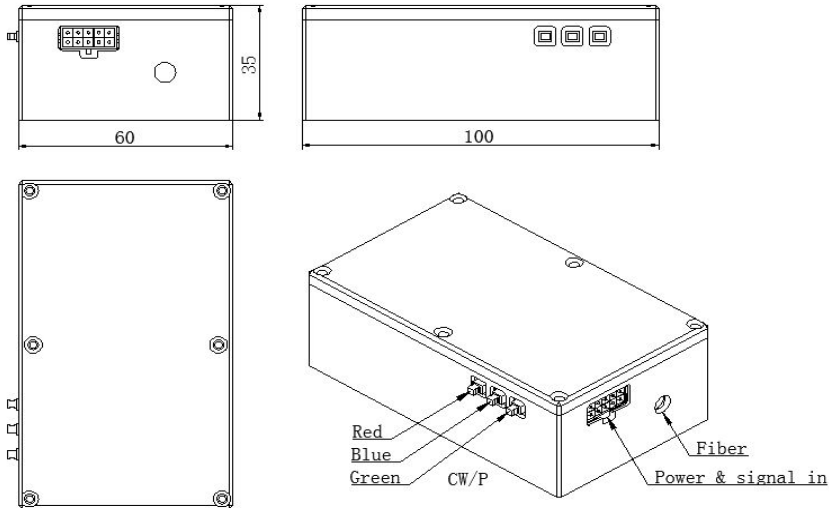
- Specification

Max power (R/G/B)	50mW / 30mW / 50mW (520nm : max 80mW)		
Modulation	Continue/TTL(external control up to 10kHz)		
Supply voltage	DC9V±10%		
Dimensions (L × W × H)	100mm×60mm×35mm		
Total weight	1.2kg		
Wavelengths	635nm or 650nm	520nm or 532nm	405nm or 450nm
Output power	50mW ±5%	30mW ±5%	50mW ±5%
Single fiber core diameter	3.5 μ m	3.5 μ m	3.5 μ m
Fiber end connector	FC/APC or SMA	FC/APC or SMA	FC/APC or SMA

Note: This dimension is not including TEC heat sink block.
Laser Beam could be free space in option.

Single Mode RGB Laser

- Dimension



- External Interface

No.	Pin Name	Description
1	Sin-red M	Modulate In Red
2	Sin-blue M	Modulate In Blue
3	Sin-green M	Modulate In Green
4	GND	Ground
5	GND	Ground
6	GND	Ground
7	GND	Ground
8	Vin	+9V Power In
9	Vin	+9V Power In
10	Vin	+9V Power In